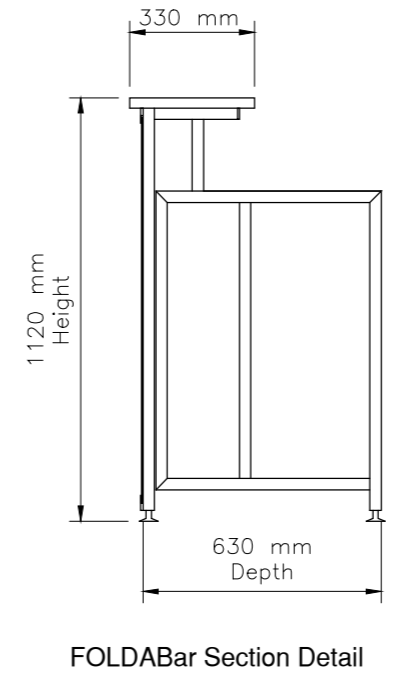
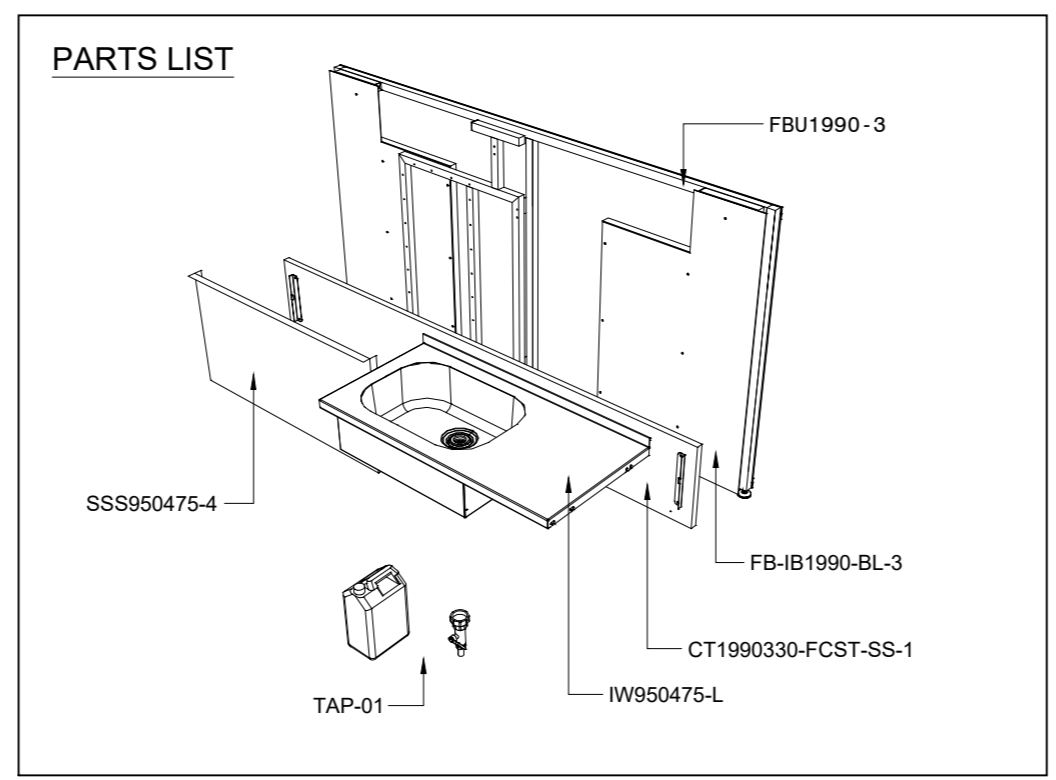
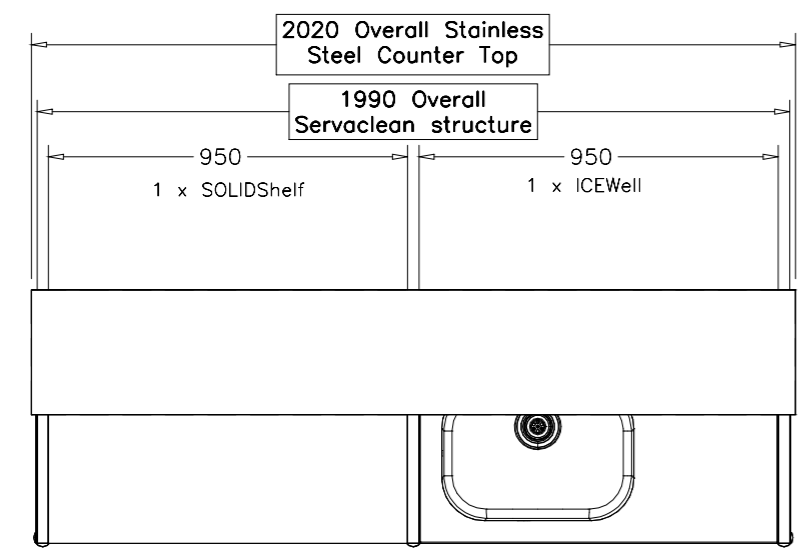
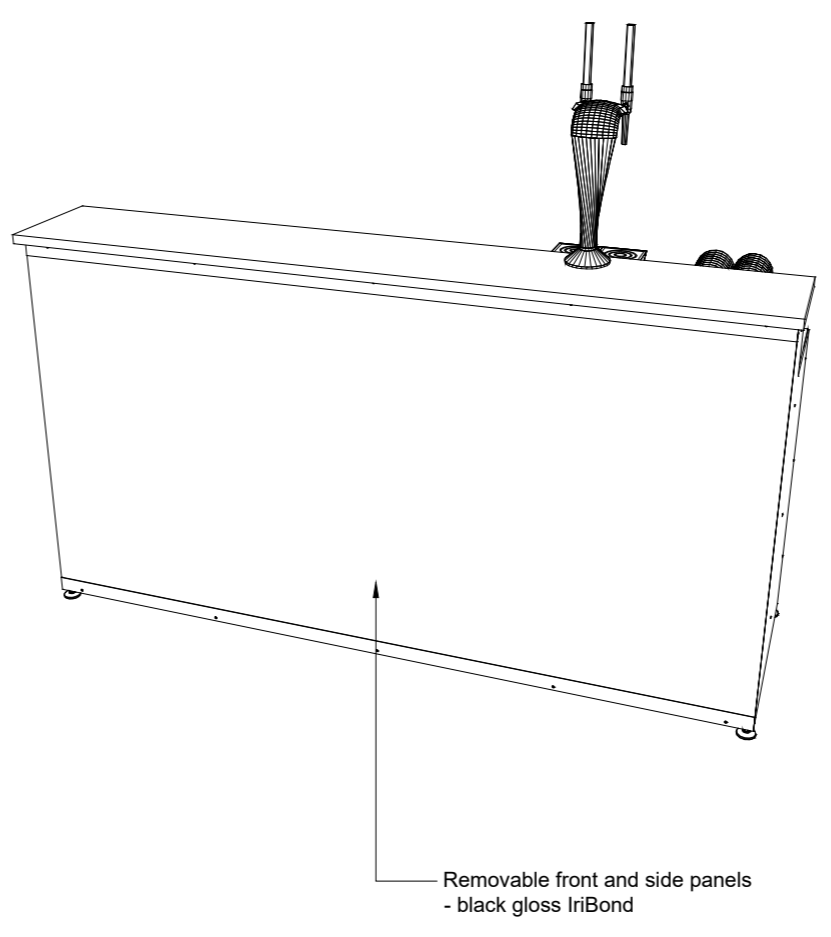
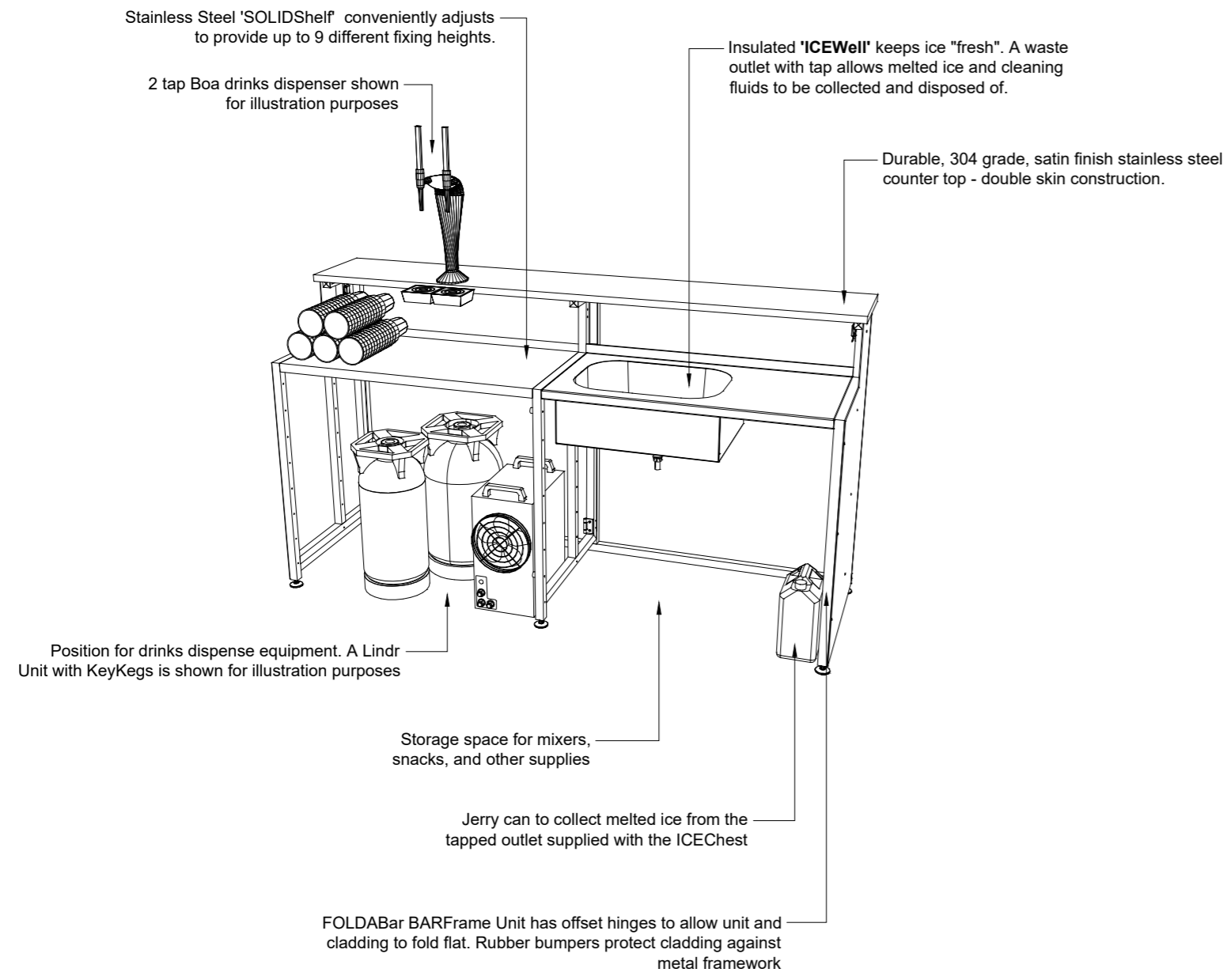


FOLDABar
FB1990-M4 - Drinks Mixing & Dispense

Part No.	Qty	Description
IW950475-L	1	ICEWell
SSS950475-4	1	SOLIDShelf
TAP-01	1	Waste Tap Assembly
CT1990330-FCST-SS-1	1	Counter Top
FB-IB1990-BL-3	1	FOLDABar Cladding Panel Set-B1
FBU1990-3	1	FOLDABar Framework



COPYRIGHT

THIS DRAWING IS THE PROPERTY OF SERVACLEAN LIMITED. COPYRIGHT IS RESERVED BY THEM AND THE DRAWING IS ISSUED ON CONDITION THAT ANY INFORMATION IT CONTAINS IS NOT COPIED, REPRODUCED, MULTIPLIED OR SUBMITTED TO THE INSPECTION OF ANY THIRD PARTIES, EITHER WHOLLY OR IN PART, WITHOUT THE WRITTEN CONSENT OF SERVACLEAN LIMITED.

Servaclean
 Bar Systems 
 Simply build a better bar

Servaclean Ltd., Gower St, BRADFORD, BD5 7JF
 01274 390038 | barplan@servaclean.co.uk | servaclean.co.uk

Project Title:
'FOLDABar' TEMPLATE 1990

Drawing Title:
DRINKS MIXING & DISPENSE

Drig No: **FB1990-M4** Date: **30-10-2025**
 Scale: **1:20 @ A2** Project Mgr: Planner/CAD: **ACW**

Rev	Date	Description	Ref
A		First Issue	