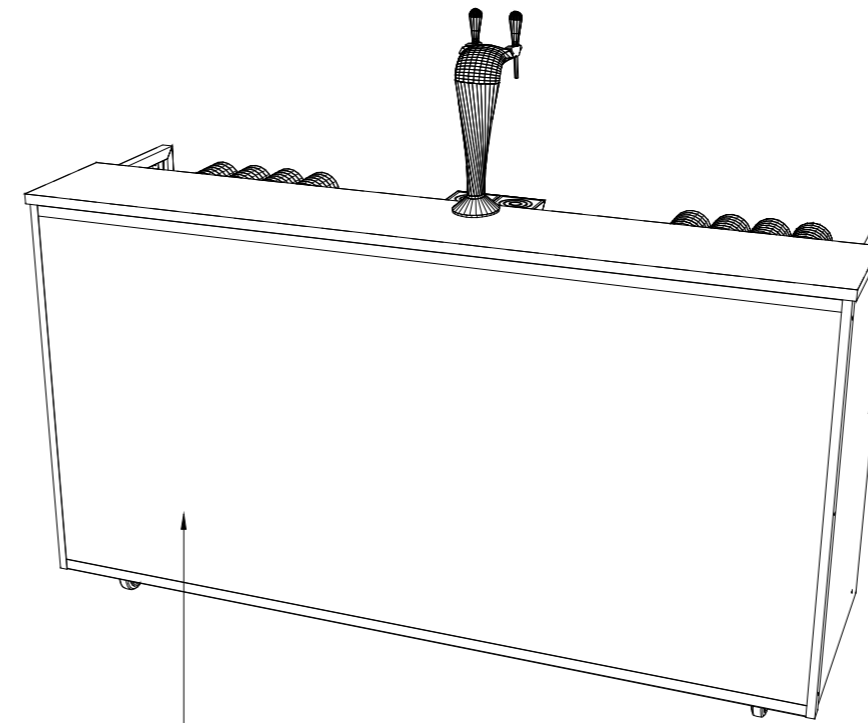
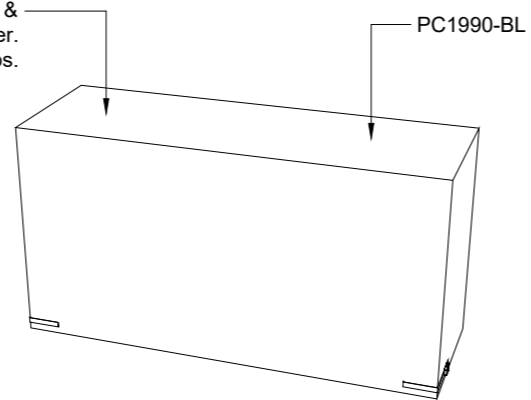


Position for drinks dispense equipment. A Lindr Unit with KeyKegs is shown for illustration purposes

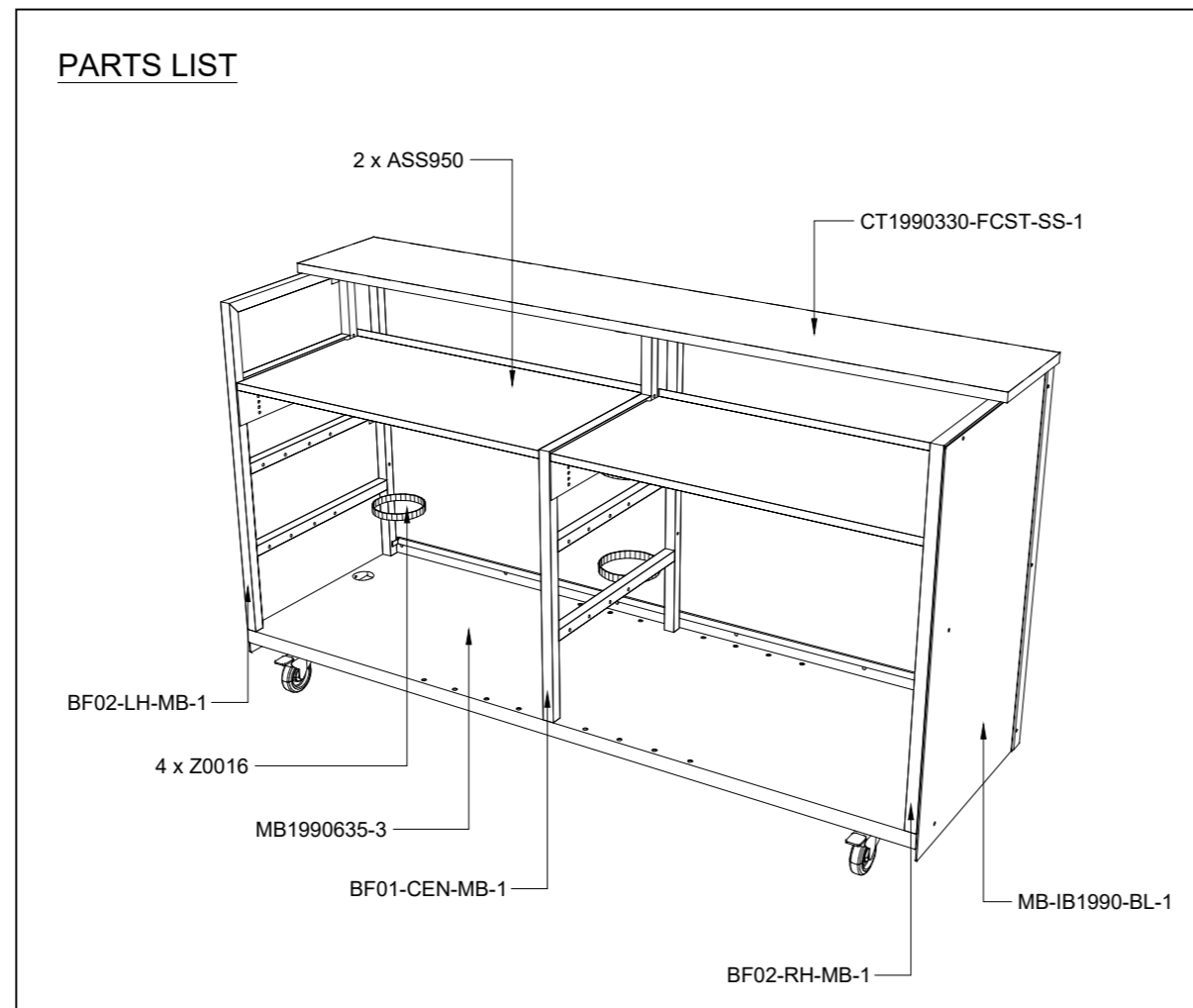
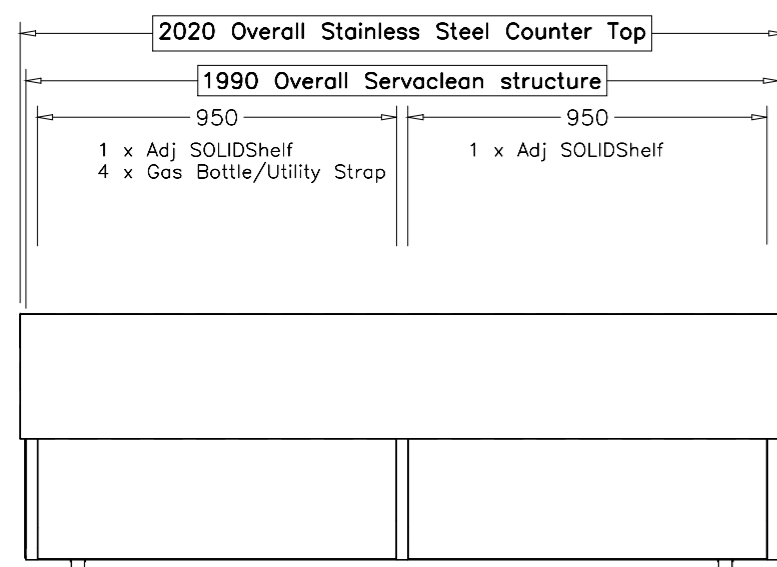
'MOVERBar' - base and structure - Heavy gauge, food quality stainless steel chassis, fitted with heavy duty (125kg load per castor), four bolt fixing, swivel castors 100mm diameter with rubber tyres keyed to a ball journal hub. The castors at server's side are braked for stability whilst serving. Base has pre-drilled holes for bolt fixing of uprights in positions to suit standard fitment compartment sizes.

Storage space for mixers, snacks, and other supplies

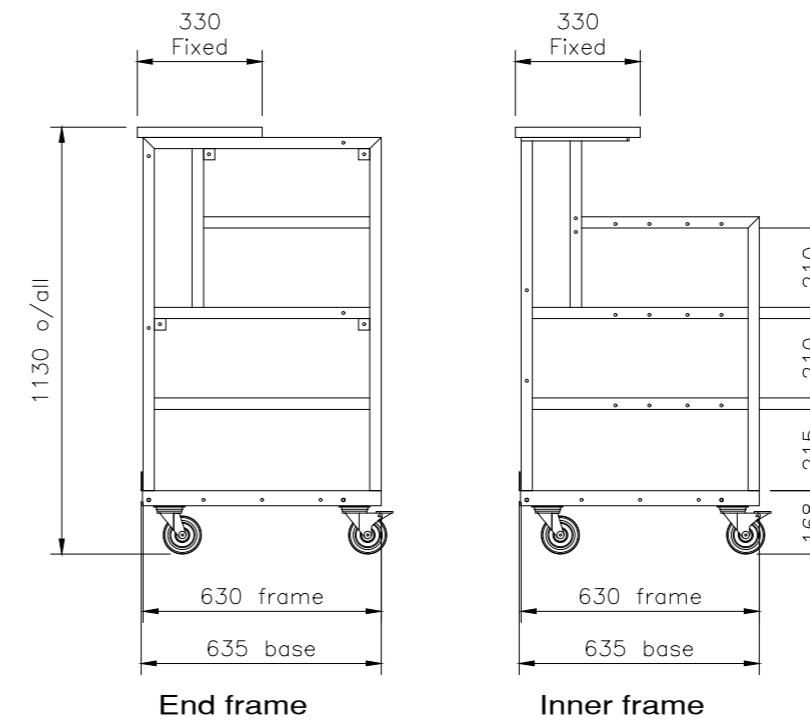
Protective Cover - A Water resistant, UV & fire retardant 600D coated woven polyester. Black, with tension adjustment straps.



Removable front and side panels - black gloss IriBond with stainless steel corner trims



PARTS LIST



MOVERBar

MB1990-D - Dispense Bar

Part No.	Qty	Description
ASS950	2	Adjustable SOLIDShelf
Z0016	4	Gas Bottle/Utility Strap
BF01-CEN-MB-1	1	BARFrame-MOVERBar-Inner
BF02-LH-MB-1	1	BARFrame-MOVERBar-Left
BF02-RH-MB-1	1	BARFrame-MOVERBar-Right
CT1990330-FCST-SS-1	1	Counter Top
MB1990635-3	1	Mobile Base Unit
MB-IB1990-BL-1	1	IriBond Cladding Set - Black

Protective Cover

Part No.	Qty	Description
PC1990-BL	1	Protective Cover

COPYRIGHT

THIS DRAWING IS THE PROPERTY OF SERVACLEAN LIMITED. COPYRIGHT IS RESERVED BY THEM AND THE DRAWING IS ISSUED ON CONDITION THAT ANY INFORMATION IT CONTAINS IS NOT COPIED, REPRODUCED, MULTIPLIED OR SUBMITTED TO THE INSPECTION OF ANY THIRD PARTIES, EITHER WHOLLY OR IN PART, WITHOUT THE WRITTEN CONSENT OF SERVACLEAN LIMITED.

Servaclean®
Bar Systems
Simply build a better bar

Servaclean Ltd., Gower St, BRADFORD, BD5 7JF
01274 390038 | barplan@servaclean.co.uk | servaclean.co.uk

Project Title:
**'MOVERBar' TEMPLATE
1990**

Drawing Title:
DISPENSE BAR

Drig No: **MB1990-D1** Date: **23-10-2025**
Scale: **1:20 @ A2** Project Mgr: Planner/CAD: **ACW**

Rev	Date	Description	Ref
A		First Issue	