

Insulated 'ICEchest' keeps ice "fresh" for hours.  
A waste outlet with tap allows melted ice and cleaning fluids to be collected and disposed of.

Hook-on 'LIQUORack' carries mixing liquors, cordials etc.

Stainless Steel Condiment Containers with wire support rail.

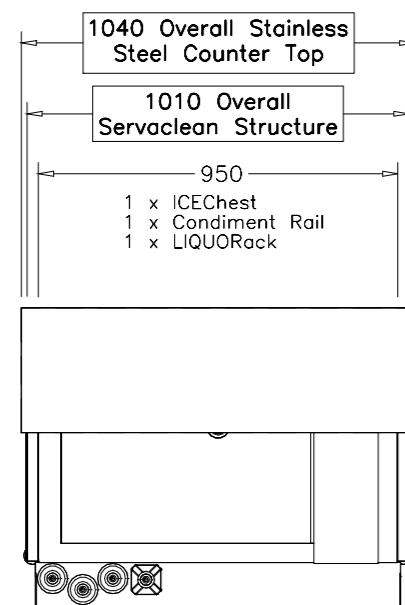
Divider and Lid allow ice to be served from one compartment whilst using lid as a platform for glasses when mixing drinks.

Durable, 304 grade, satin finish stainless steel counter top - double skin construction.

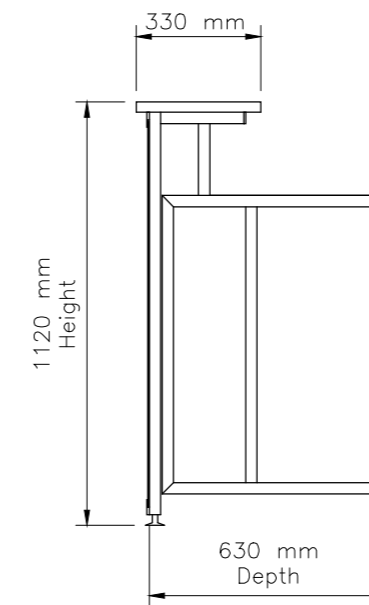
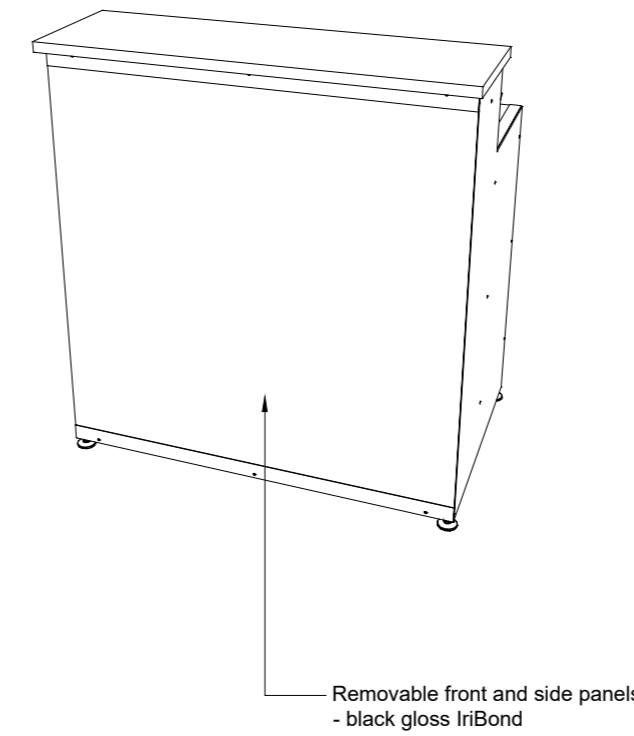
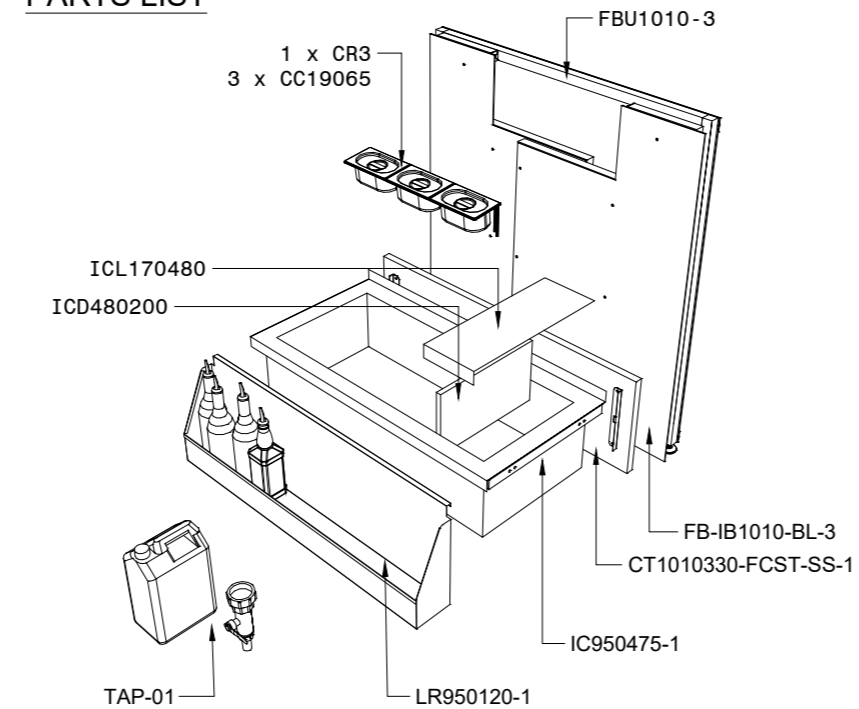
Jerry can to collect melted ice from the tapped outlet supplied with the ICEchest

Storage space for mixers, snacks, and other supplies

FOLDABar BARFrame Unit has offset hinges to allow unit and cladding to fold flat. Rubber bumpers protect cladding against metal framework



**PARTS LIST**



FOLDABar Section Detail

Rev	Date	Description	Ref
A		First Issue	

**FOLDABar**

**FB1010-C1 - Cocktail Bar**

Part No.	Qty	Description
CC19065	3	Condiment Container & Lid
CR3-1	1	Condiment Rail
IC950475-1	1	ICEchest
ICD480200	1	ICEchest Compartment Divider
ICL170480	1	ICEchest Compartment Lid
LR950120-1	1	LIQUORack - 120mm deep
TAP-01	1	Waste Tap Assembly
CT1010330-FCST-SS-1	1	Counter Top
FB-IB1010-BL-3	1	FOLDABar Cladding Panel Set-B1
FBU1010-3	1	FOLDABar Framework

**COPYRIGHT**

THIS DRAWING IS THE PROPERTY OF SERVACLEAN LIMITED. COPYRIGHT IS RESERVED BY THEM AND THE DRAWING IS ISSUED ON CONDITION THAT ANY INFORMATION IT CONTAINS IS NOT COPIED, REPRODUCED, MULTIPLIED OR SUBMITTED TO THE INSPECTION OF ANY THIRD PARTIES, EITHER WHOLLY OR IN PART, WITHOUT THE WRITTEN CONSENT OF SERVACLEAN LIMITED.

**Servaclean®**  
Bar Systems   
Simply build a better bar

Servaclean Ltd., Gower St, BRADFORD, BD5 7JF  
01274 390038 | barplan@servaclean.co.uk | servaclean.co.uk

Project Title:  
**'FOLDABar' TEMPLATE**  
1010

Drawing Title:  
**COCKTAIL BAR**

Drig No: **FB1010-C1** Date: **29-10-2025**  
Scale: **1:20 @ A2** Project Mgr: Planner/CAD: **ACW**